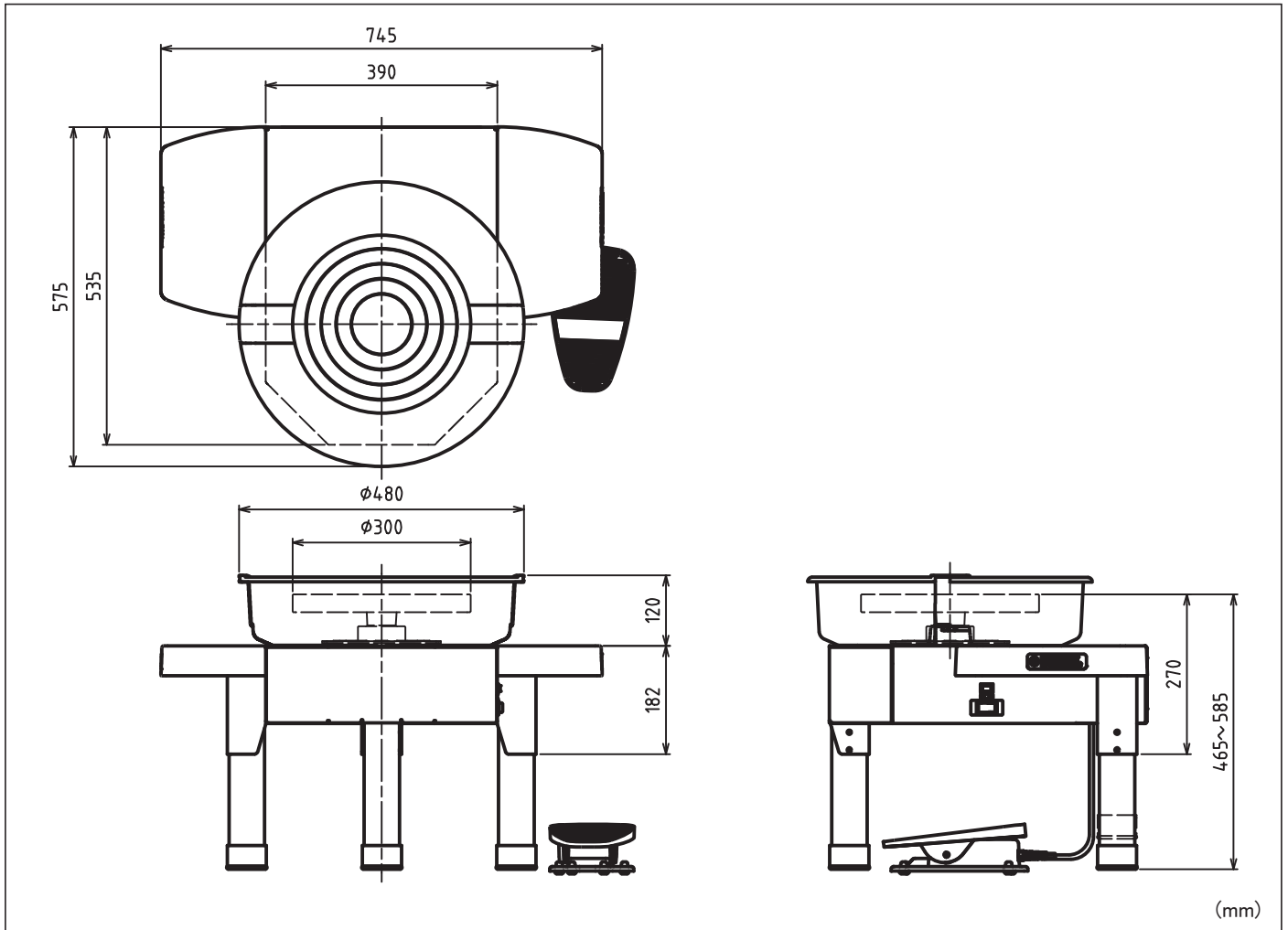


## Specifications

Model	Whisper-T
Motor	300W AC230V 50Hz/60Hz single phase
Drive System	Direct Drive DC Brushless Motor with electric speed control
Wheelhead speed	0 – 250rpm
Speed control	Remote Foot Pedal
Wheelhead Direction	Clockwise/Counter-Clockwise
Wheelhead	Light alloy casting, diameter 300mm
Dimension	745 × 575 × 585mm (max)
Ship Weight	45kg



## Dimension



## NIDEC-SHIMPO CORPORATION

:1 Terada Kotari, Nagaokakyo-city, Kyoto, 617-0833 Japan

Phone: 81-75-958-3608 FAX:81-75-958-3647

<http://www.nidec-shimpo.co.jp/>

### ⚠ Caution

Please read the entire instruction manual thoroughly before initial set-up and operation; the information contained herein will aid you in operating your shimpo wheel safely and with excellent results.